

transformer relays

24A01G-3 WIRING

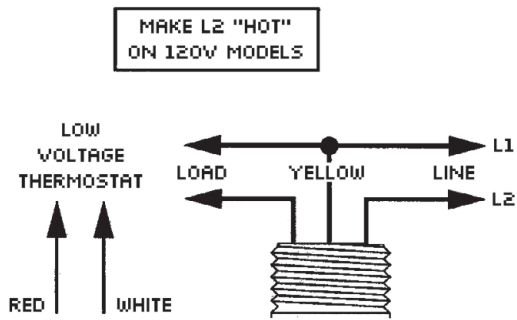


Fig. 1. Diagram of "LEVEL TEMP" wiring

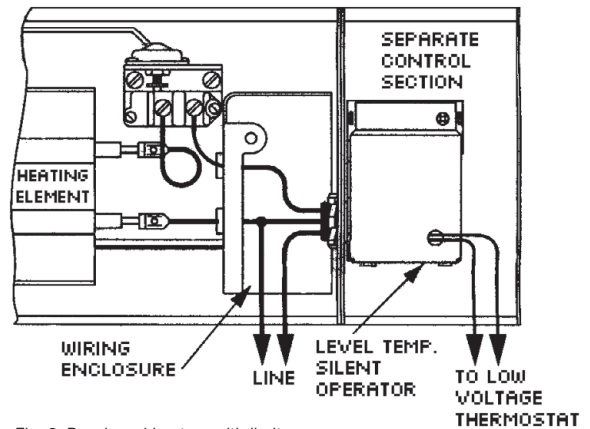


Fig. 2. Baseboard heaters with limit

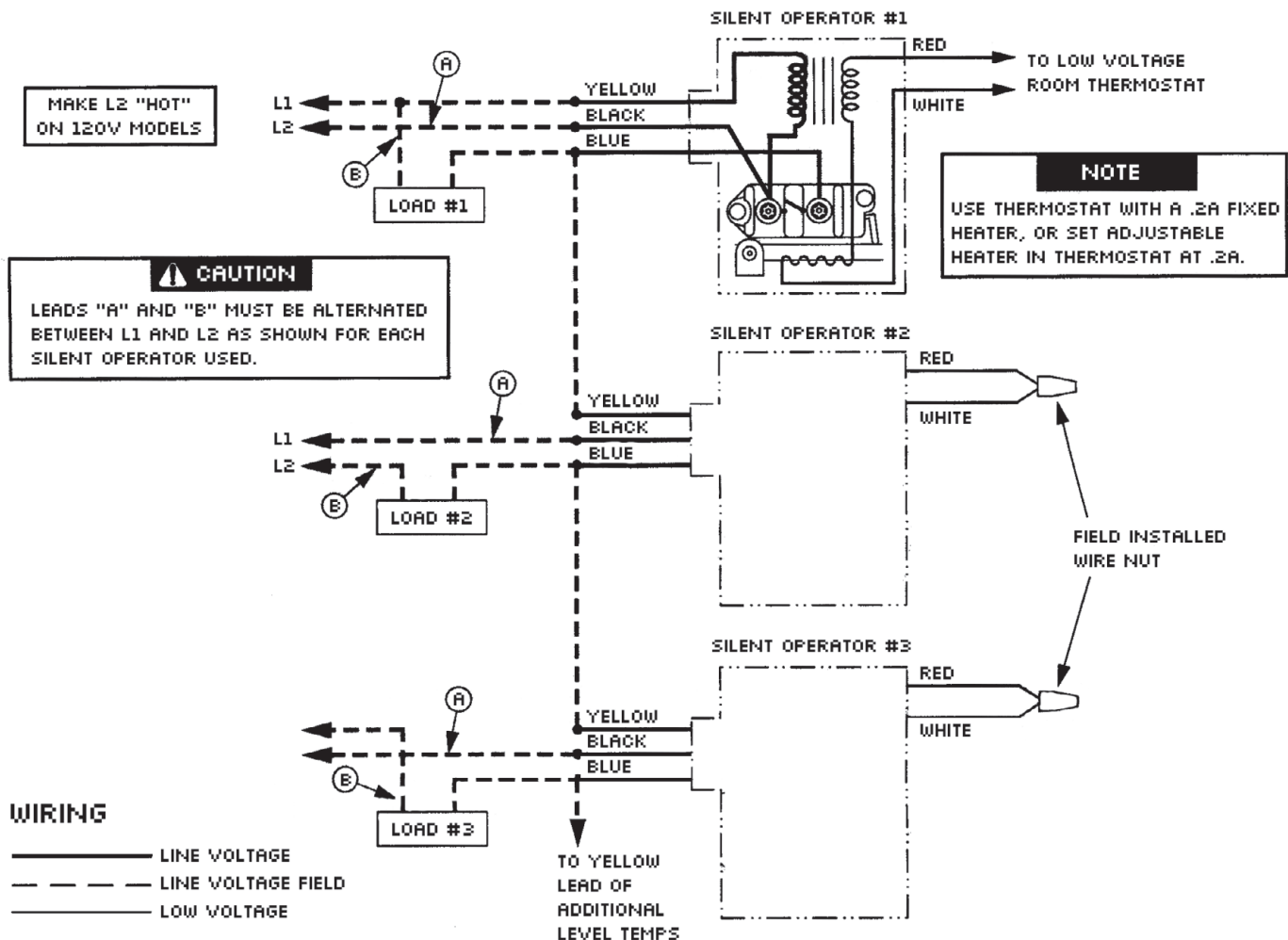


Fig. 3. Typical wiring diagram to "Sequence" two or more loads

transformer relays

24A06G-1 WIRING

FIG. 2. USING TWO-WIRE HEATING THERMOSTAT TO OPERATE TWO SEPARATE HEATING LOADS.

OPERATION

AS THE THERMOSTAT CLOSES ITS CONTACTS, BIMETAL HEATERS #1 AND #2 ARE ENERGIZED. APPROXIMATELY 45 SECONDS LATER, THE WARPING ACTION OF THESE HEATERS CLOSES LINE VOLTAGE SWITCHES #1 AND #2 TO ENERGIZE HEATING LOADS #1 AND #2. WHEN THE THERMOSTAT OPENS ITS CONTACTS, BIMETAL HEATERS #1 AND #2 COOL FOR APPROXIMATELY 45 SECONDS BEFORE LINE VOLTAGE SWITCHES #1 AND #2 OPEN TO DE-ENERGIZE THE HEATING LOADS.

